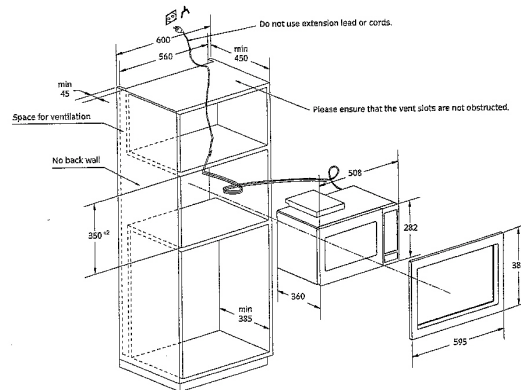


PREMIUM APPLIANCE BRANDS

Product code	MUK23SS Microwave / TUK23SS Trim Kit
Description	Built-in Microwave Oven
Colour	Stainless Steel
Barcode	5060071650462 / 5060071650479

Features / Specification

Microwave Power	900W
Capacity	23 Litres
Power Levels	5
Express Cooking	Yes
Auto Defrost	Yes
Automatic Cooking Menus	8
Cooking End Signal	Yes
Clock	Digital 12 or 24 hour
Timer	60 min digital timer
Glass Plate (revolving)	314 mm diameter
Child lock	Yes
Door	Push Button



Dimensions & Technical Information

Product dimensions; width x depth x height (mm) including trim	595 x 360 x 386
Product dimensions; width x depth x height (mm) excluding trim	508 x 360 x 282
Interior dimensions; width x depth x height (mm)	350 x 330 x 215
Installation dimensions; width x depth x height (mm)	560 x 450 x 350
Product weight (kg); packed (unpacked)	16.5 kg
Built-in kit	Packed Separately

Electrical connection	230-240v 50Hz
Maximum load	

Delivery Details

Container Quantity 40ft/2ft	598/299
Stacking quantity	
Delivery details	

Date	03.11.04	Issue 2
------	----------	---------

